



PRICE® PUMP CO.

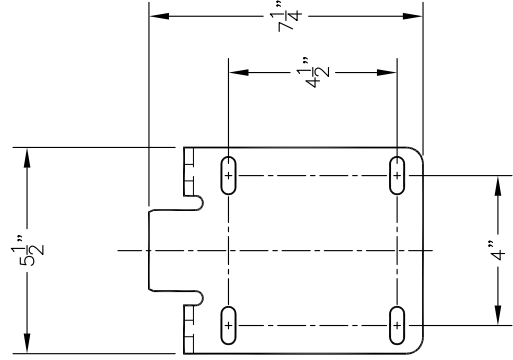
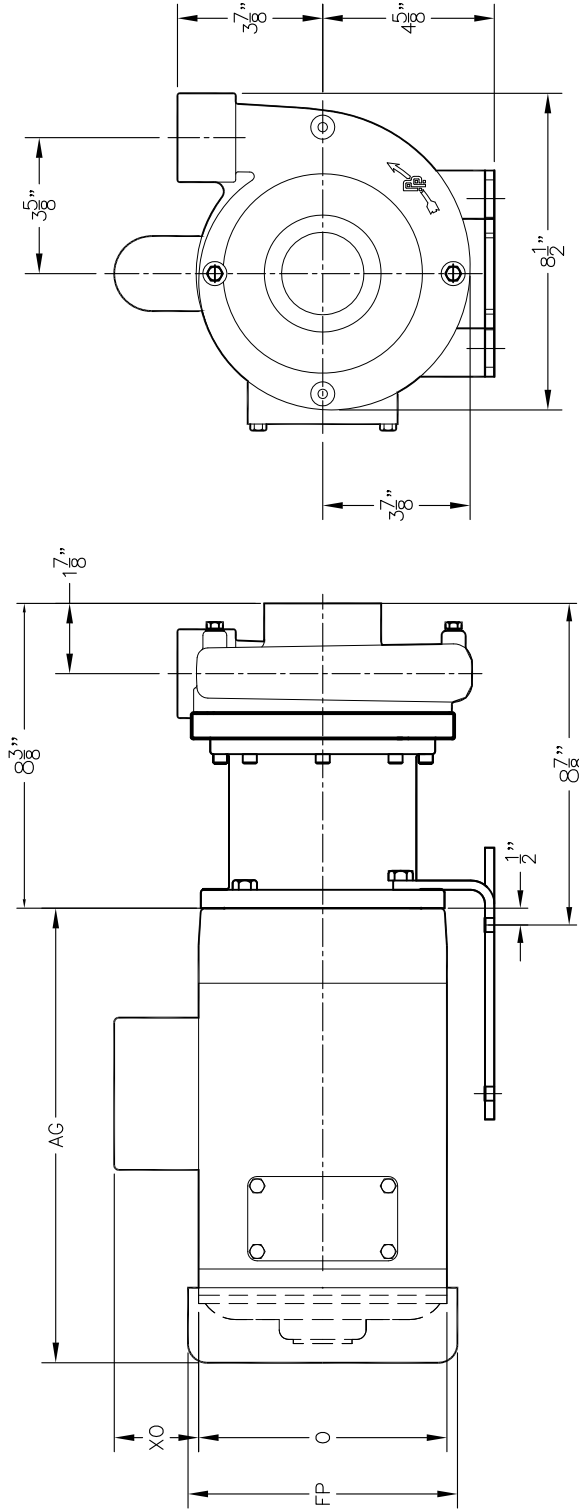
FACTORY FAX TRANSMITTAL DRAWING

DESCRIPTION
CL150SS MAGDRIVE CLOSE COUPLED MOTOR PUMP ASSY

REF. NO.
O-CLMAG

DATE
7/27/07

REV.
—



HP	RPM	MOTOR END DIMENSIONS				
		FRM	AG	FP	O	XO
1/4	1800	56C	7 3/4	6 1/8	5 3/8	2 1/16
1/3	1800	56C	8 1/4	6 1/8	5 3/8	2 1/16
1/2	1800	56C	8 3/4	6 1/8	5 3/8	2 1/16
1/3	3600	56C	8 1/2	6 1/8	5 3/8	2 1/16
1/2	3600	56C	8 3/4	6 1/8	5 3/8	2 1/16
3/4	3600	56C	9 1/4	6 1/8	5 3/8	2 1/16
1	3600	56C	9 3/4	6 1/8	5 3/8	2 1/16
1-1/2	3600	56C	10 1/2	7 3/16	6 7/8	2 1/4
2	3600	56C	11 1/8	7 3/16	6 7/8	2 1/4
3	3600	56C	12 3/8	7 3/16	6 7/8	2 1/4
5	3600	184C	13 5/8	8 1/2	7 7/8	2 1/4
7-1/2	3600	184C	15 1/8	8 1/2	7 7/8	2 1/4
10	3600	184C	16 5/8	10 3/16	9 5/8	2 3/8

NOTE:
MOTOR DIMENSIONS WILL VARY BY MODEL AND MAKE,
DIMENSIONS ARE TO BE USED FOR REFERENCE ONLY.
ALL DIMENSIONS HAVE BEEN ROUNDED TO THE NEAREST 1/8"

CALL 1-800-577-8111 FOR SALES AND SUPPORT
CLICK FOR PRICE PUMPS WEBSITE