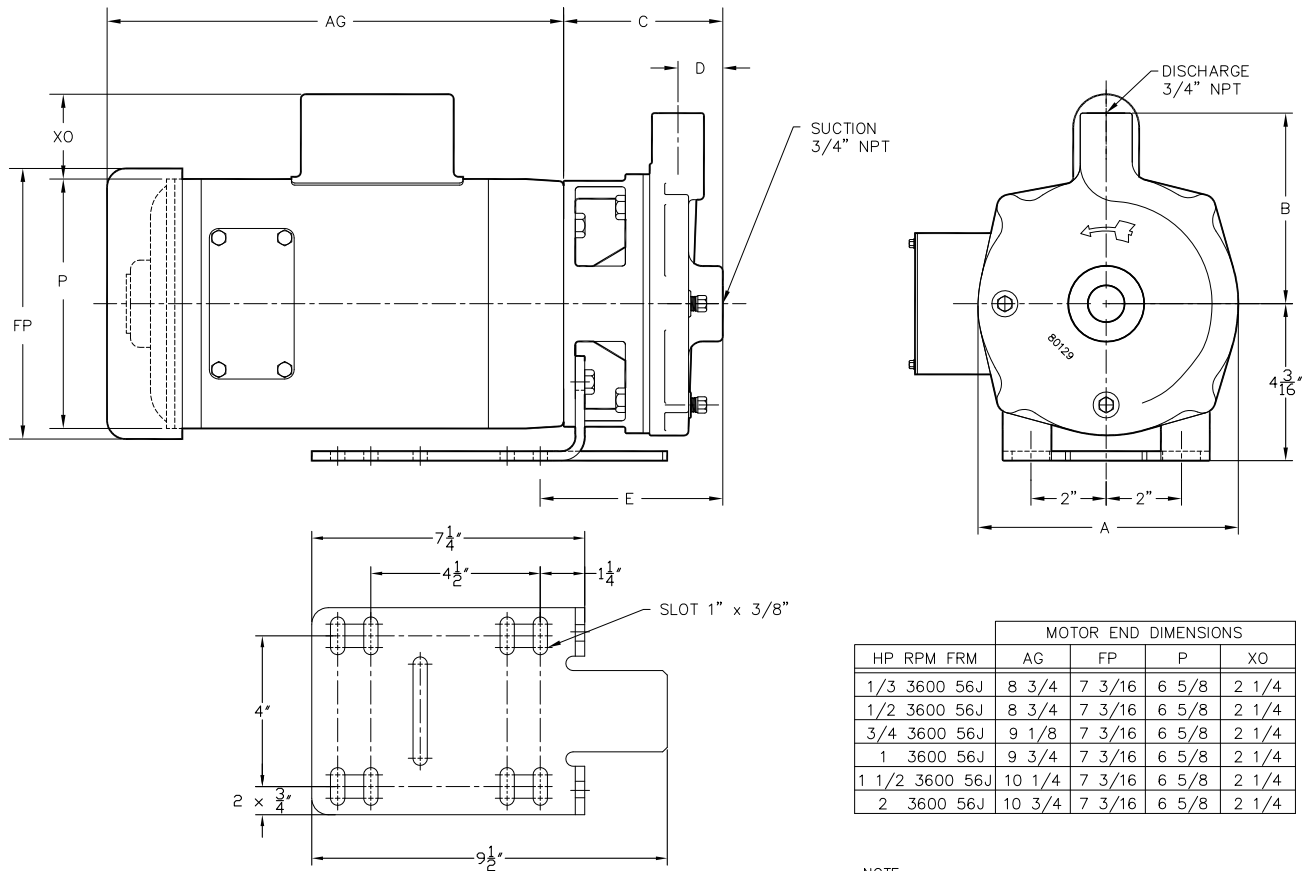




### HP OUTLINE DRAWING

Effective: August 30, 2007



HP	RPM	FRM	MOTOR END DIMENSIONS			
			AG	FP	P	XO
1/3	3600	56J	8 3/4	7 3/16	6 5/8	2 1/4
1/2	3600	56J	8 3/4	7 3/16	6 5/8	2 1/4
3/4	3600	56J	9 1/8	7 3/16	6 5/8	2 1/4
1	3600	56J	9 3/4	7 3/16	6 5/8	2 1/4
1 1/2	3600	56J	10 1/4	7 3/16	6 5/8	2 1/4
2	3600	56J	10 3/4	7 3/16	6 5/8	2 1/4

MATERIAL	MODEL	A	B	C	D	E
BRONZE	HP75BN/ HP75BS	6 15/16	5 1/16	4 1/8	1 1/8	4 7/8
KANIGEN	HP75KN/ HP75KS	6 15/16	5 1/16	4 1/8	1 1/8	4 7/8
CPVC	HP75CN/ HP75CS	7 9/16	4 11/16	3 5/16	1 3/16	4 1/2
SS	HP75SS/HP75SC	6 15/16	5 1/4	4 1/8	1 1/8	4 7/8

**NOTE:**  
MOTOR DIMENSIONS WILL VARY BY MODEL AND MAKE.  
DIMENSIONS ARE TO BE USED FOR REFERENCE ONLY.

**NOTE:**  
ALL DIMENSIONS ARE ROUNDED TO THE  
NEAREST 1/16 INCH.