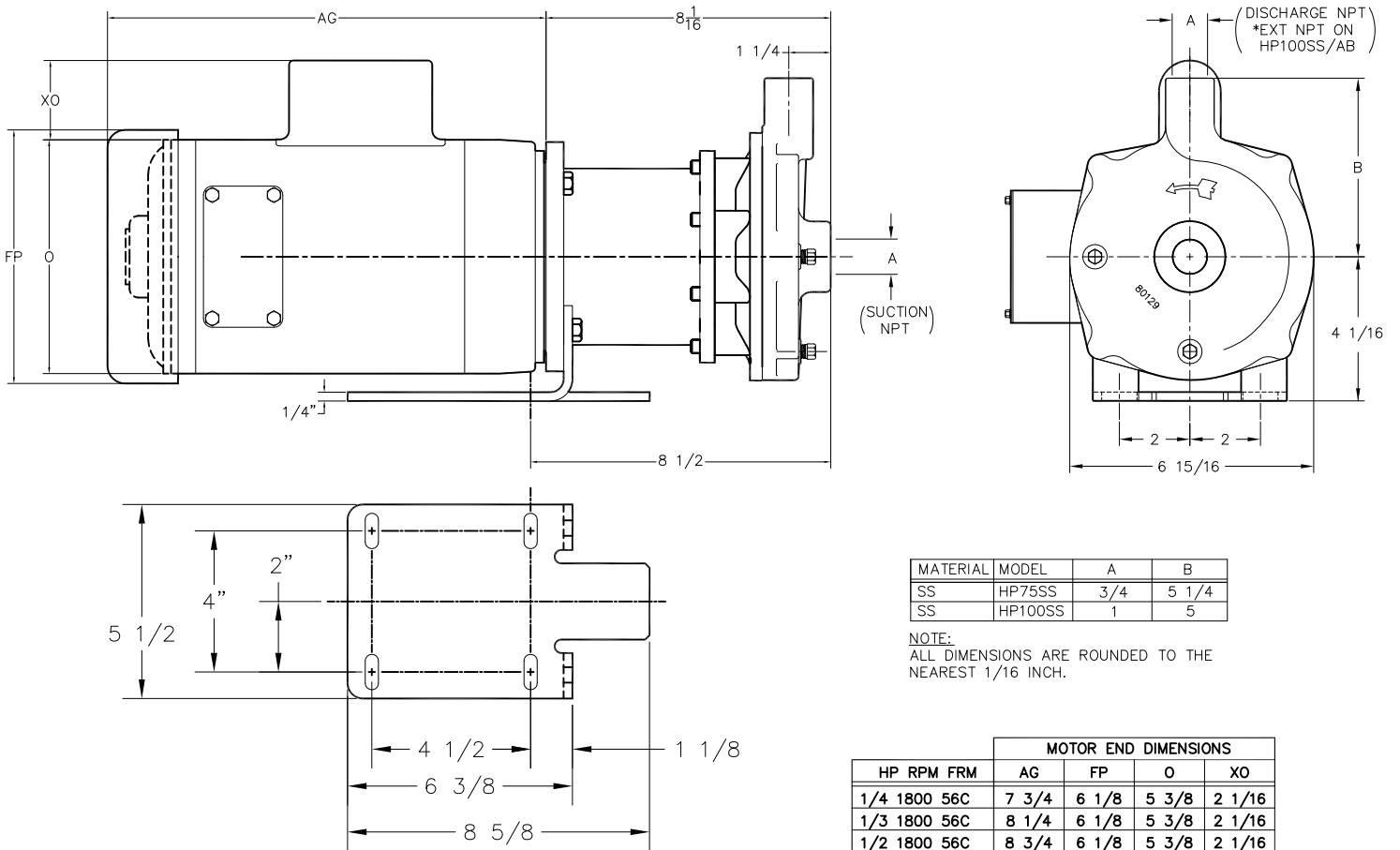




HP 75/100 MAG DRIVE OUTLINE DRAWING

Effective: April 20, 2009



MATERIAL	MODEL	A	B
SS	HP75SS	3/4	5 1/4
SS	HP100SS	1	5

NOTE:  
 ALL DIMENSIONS ARE ROUNDED TO THE  
 NEAREST 1/16 INCH.

HP	RPM	FRM	MOTOR END DIMENSIONS			
			AG	FP	O	XO
1/4	1800	56C	7 3/4	6 1/8	5 3/8	2 1/16
1/3	1800	56C	8 1/4	6 1/8	5 3/8	2 1/16
1/2	1800	56C	8 3/4	6 1/8	5 3/8	2 1/16
1/3	3600	56C	8 1/2	6 1/8	5 3/8	2 1/16
1/2	3600	56C	8 3/4	6 1/8	5 3/8	2 1/16
3/4	3600	56C	9 1/4	6 1/8	5 3/8	2 1/16
1	3600	56C	9 3/4	6 1/8	5 3/8	2 1/16
1 1/2	3600	56C	10 1/2	7 3/16	6 7/8	2 1/4
2	3600	56C	11 1/8	7 3/16	6 7/8	2 1/4
3	3600	56C	12 3/8	7 3/16	6 7/8	2 1/4
5	3600	184C	13 5/8	8 1/2	7 7/8	2 1/4

NOTE:  
 MOTOR DIMENSIONS WILL VARY BY MODEL AND MAKE.  
 DIMENSIONS ARE TO BE USED FOR REFERENCE ONLY.