



PRICE® PUMP CO.

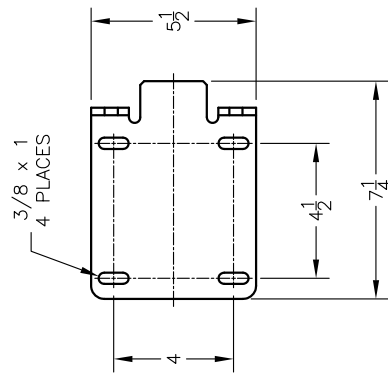
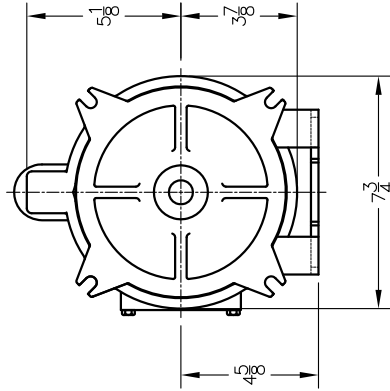
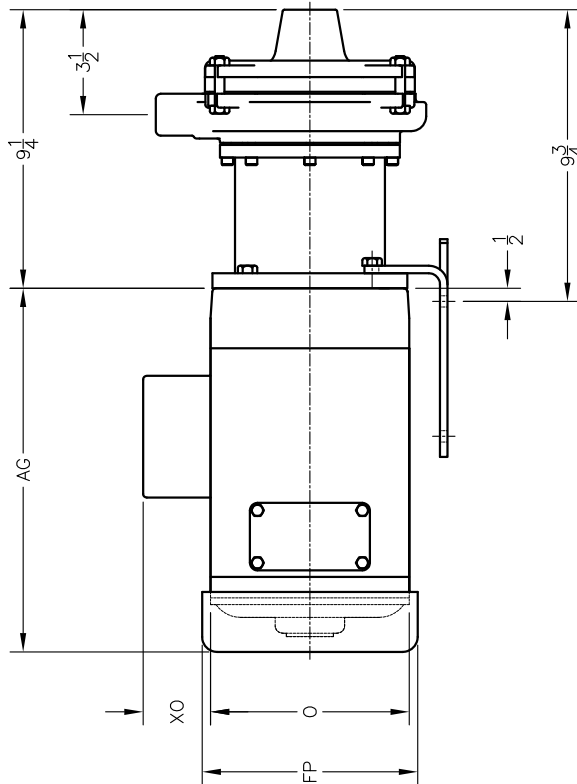
FACTORY FAX TRANSMITTAL DRAWING

REV. —

DATE 11/15/04

REF. NO. 0-MSMAG

DESCRIPTION 2MS75 SS MAGDRIVE PUMP ASSEMBLY OUTLINE



NOTE: MOTOR DIMENSIONS WILL VARY BY MODEL AND MAKE, DIMENSIONS ARE TO BE USED FOR REFERENCE ONLY.

HP	RPM	FRM	MOTOR END DIMENSIONS				
			AG	FP	O	XO	
1/4	1800	56C	7 3/4	6 1/8	5 3/8	2 1/16	
1/3	1800	56C	8 1/4	6 1/8	5 3/8	2 1/16	
1/2	1800	56C	8 3/4	6 1/8	5 3/8	2 1/16	
3/4	1800	56C	9 1/4	6 1/4	5 3/8	2 1/16	
1	1800	56C	10	6 1/4	5 3/8	2 1/16	
2	3600	56C	11 1/8	7 3/16	6 7/8	2 1/4	
3	3600	56C	12 3/8	7 3/16	6 7/8	2 1/4	
5	3600	184C	13 5/8	8 1/2	7 7/8	2 1/4	
7-1/2	3600	184C	15 1/8	8 1/2	7 7/8	2 1/4	

CALL 1-800-577-8111 FOR SALES AND SUPPORT
CLICK FOR PRICE PUMPS WEBSITE

NOTE: ALL DIMENSIONS HAVE BEEN ROUNDED TO THE NEAREST 1/8".