



OH75CP
Shown

Features

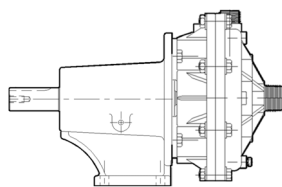
- **Pump Design** – Compact, close coupled
- **Pump Body** – Non-metallic
- **Flush Options** – Recirculating & Internal

Applications

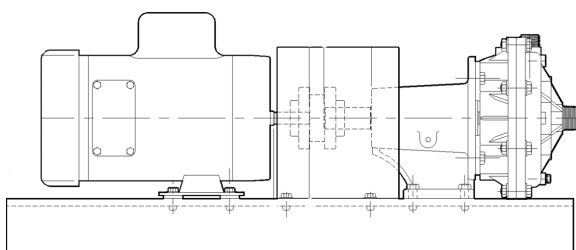
- Photo Processing
- Metal Etching
- Acid Transfer
- Water Treatment Systems
- Fume Scrubbing Filtering
- D.I. Water
- Chillers
- Sump Pumping

Optional Configurations

- **Power Frame Mounting:**



- **Long-Coupled Mounting:**



OH75

Pump Volute / Impeller Materials

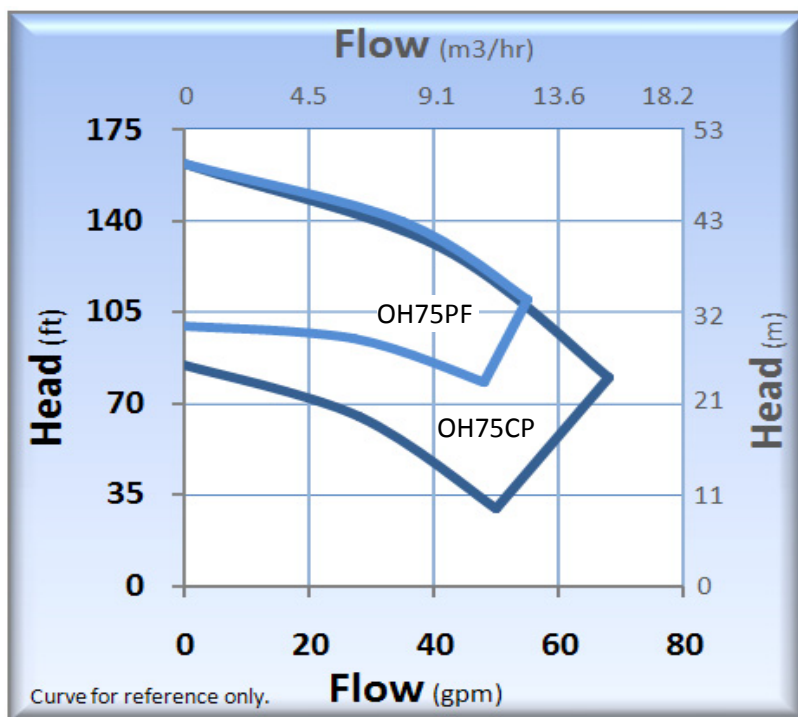
OH75 (CP) – CPVC / CPVC

OH75 (PF) – PVDF / PVDF

Standard Specifications

- OH75 Discharge 3/4" MNPT, Suction 1" MNPT
- OH75(CP) Maximum Impeller Diameter: 6.12"
- OH75(PF) Maximum Impeller Diameter: 6.03"
- Motor: NEMA C Face (Multiple enclosures available)
- Mechanical Seal:
 - Single, 1" Type 36 Viton, Carbon vs. Ceramic
 - Note: Additional seal options available*
- Bracket Material: (CP) CPVC, (PF) PVDF
- O-ring: Viton (EPR optional)

Performance Curve – 60 Hz



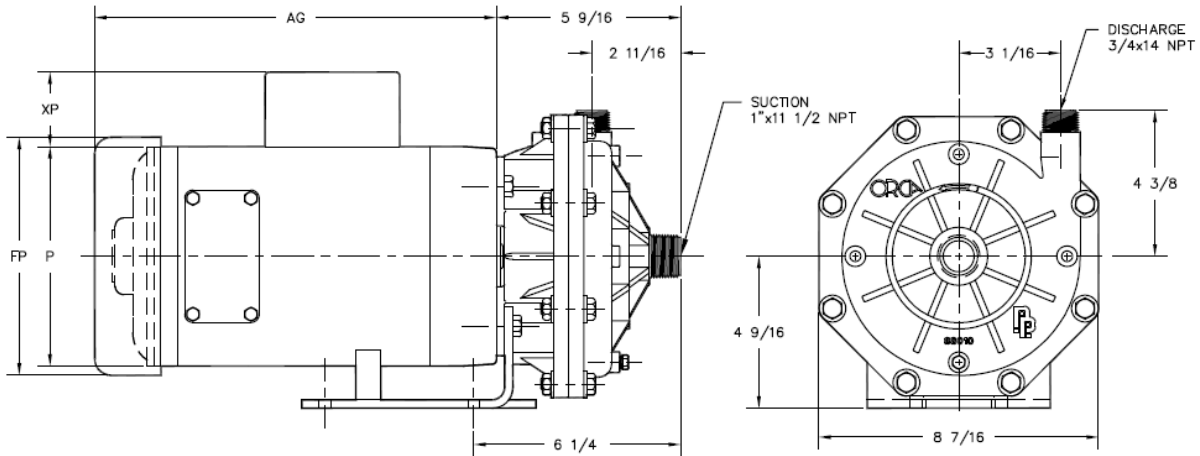
OH75

| Technical Information | |
|-----------------------|-----------------------------------|
| Max Flow (OH75CP) | 68 GPM (15.4 m3/hr) |
| Max Flow (OH75PF) | 55 GPM (12.5 m3/hr) |
| Max Head | 160 feet (48.8 m) |
| Min. Flow | 7 GPM (1.6 m3/hr) |
| Max Solid Size | 0.150" (3.81 mm) |
| Max Working Pressure | (Type 21 Seal) 150 PSI (10.3 bar) |
| | (Type 36 Seal) 180 PSI (12.4 bar) |
| Max Temp. (OH75CP) | 140°F (60°C)* |
| Max Temp. (OH75PF) | 260°F (127°C)* |

| Materials of Construction | | |
|---------------------------|--------|--------|
| OH75 | CP | PF |
| Volute | CPVC | PVDF |
| Impeller | CPVC | PVDF |
| Bracket | CPVC | PVDF |
| Gasket | Viton® | Viton® |
| Fasteners | 316SS | 316SS |

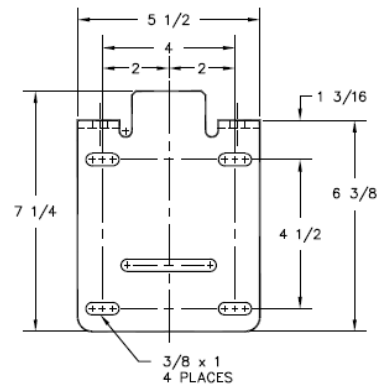
* Temperature limits are based on standard seal and gasket materials, and will vary according to the liquid being pumped

Dimensions (OH75)



| MOTOR END DIMENSIONS | | | | | |
|----------------------|------|-----|--------|--------|-------|
| HP | RPM | FRM | AG | FP | XP |
| 1/4 | 1800 | 56C | 7 3/4 | 7 3/16 | 6 7/8 |
| 1/3 | 1800 | 56C | 8 1/4 | 7 3/16 | 6 7/8 |
| 1/2 | 1800 | 56C | 8 3/4 | 7 3/16 | 6 7/8 |
| 1/3 | 3600 | 56C | 8 1/2 | 7 3/16 | 6 7/8 |
| 1/2 | 3600 | 56C | 8 3/4 | 7 3/16 | 6 7/8 |
| 3/4 | 3600 | 56C | 9 1/4 | 7 3/16 | 6 7/8 |
| 1 | 3600 | 56C | 9 3/4 | 7 3/16 | 6 7/8 |
| 1 1/2 | 3600 | 56C | 10 1/2 | 7 3/16 | 6 7/8 |
| 2 | 3600 | 56C | 11 1/8 | 7 3/16 | 6 7/8 |
| 3 | 3600 | 56C | 12 3/8 | 7 3/16 | 6 7/8 |

NOTE:
 MOTOR DIMENSIONS WILL VARY BY MODEL AND MAKE.
 DIMENSIONS ARE TO BE USED FOR REFERENCE ONLY.



NOTES:
 1. PUMP MATERIAL; CHLORINATED POLYVINYL CHLORIDE (CPVC) OR POLYVINYLIDENE FLOURIDE (PVDF).
 2. ALL DIMENSIONS ARE ROUNDED TO THE NEAREST 1/8 INCH.

